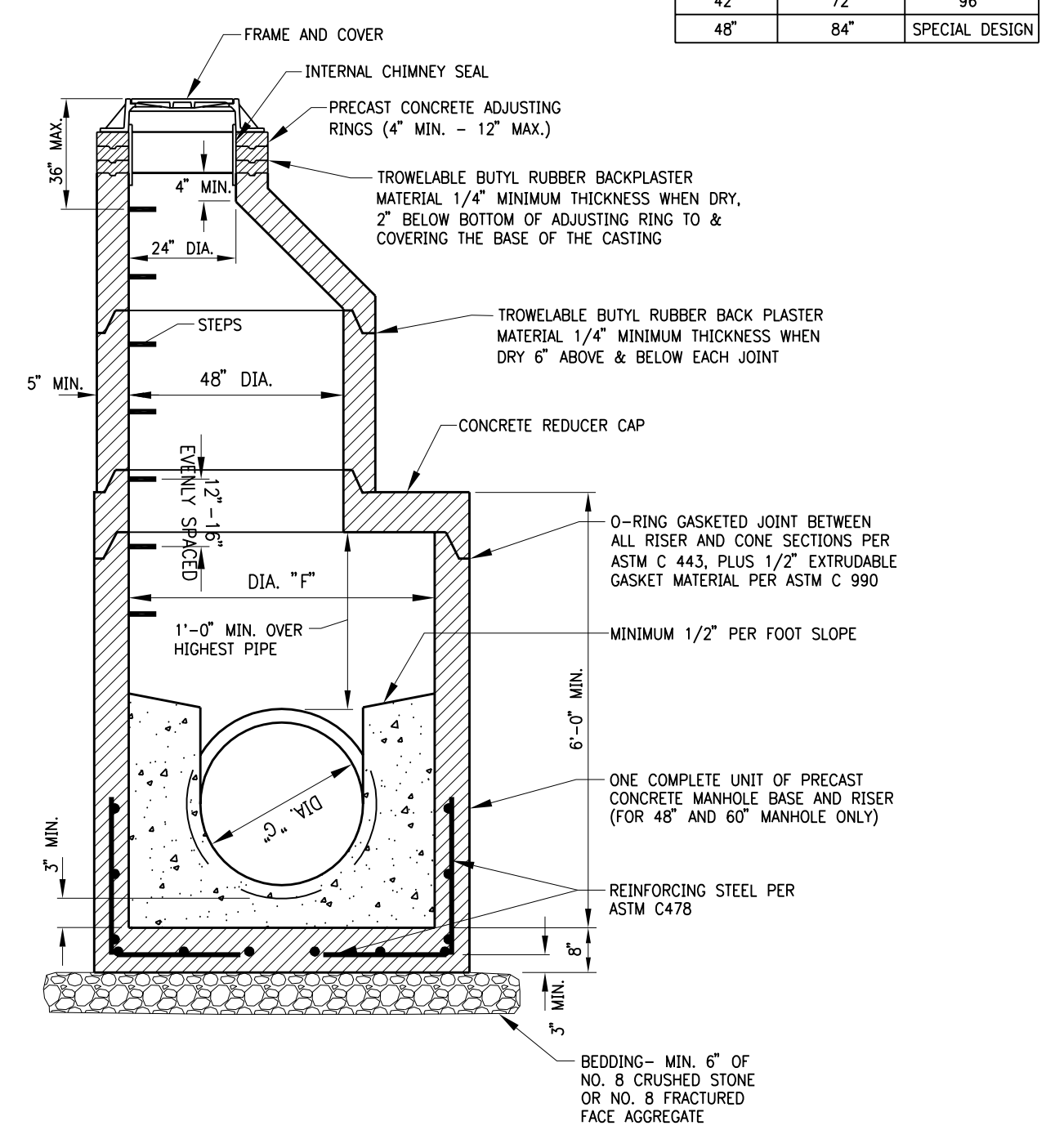
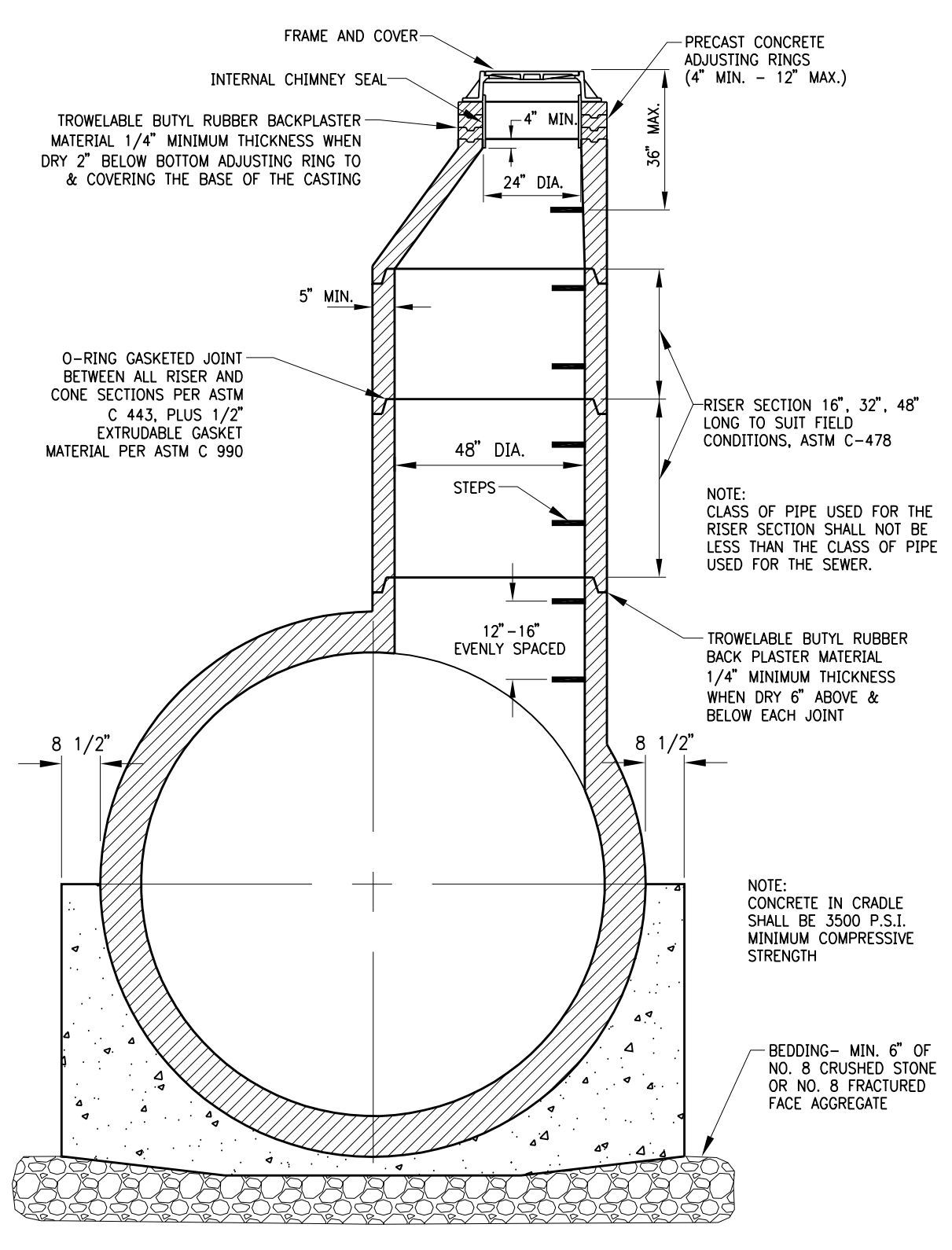


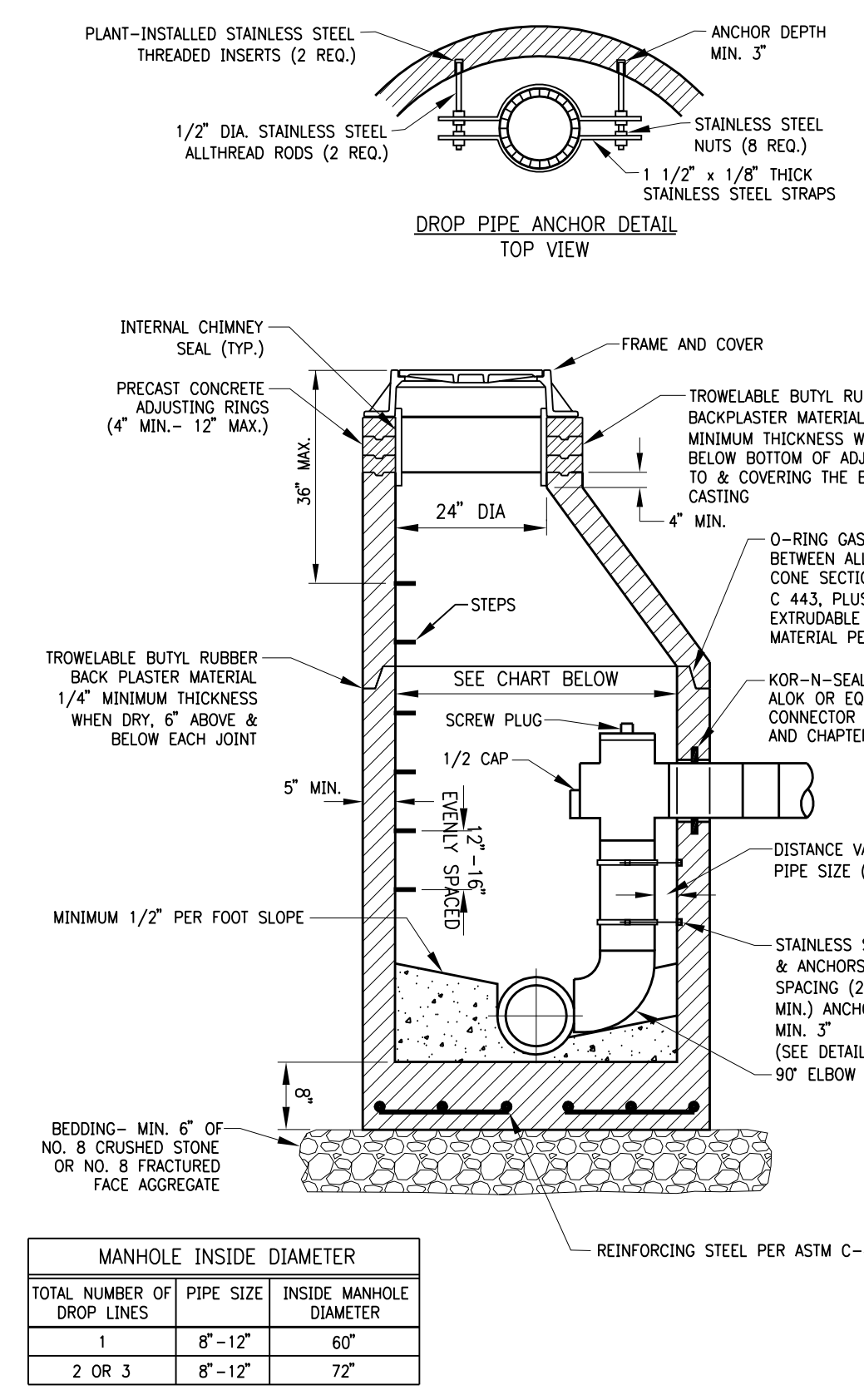
MINIMUM MANHOLE DIAMETERS		
PIPE SIZE "C"	PIPES ENTERING OR LEAVING AT A 45° ANGLE	PIPES ENTERING OR LEAVING AT A 45° TO A 90° ANGLE
21" TO 24"	48"	60"
27"	60"	72"
30" TO 36"	60"	84"
42"	72"	96"
48"	84"	SPECIAL DESIGN



MANHOLE BASE, RISER & REDUCER CAP FOR PIPES 21"-48"
NOT TO SCALE

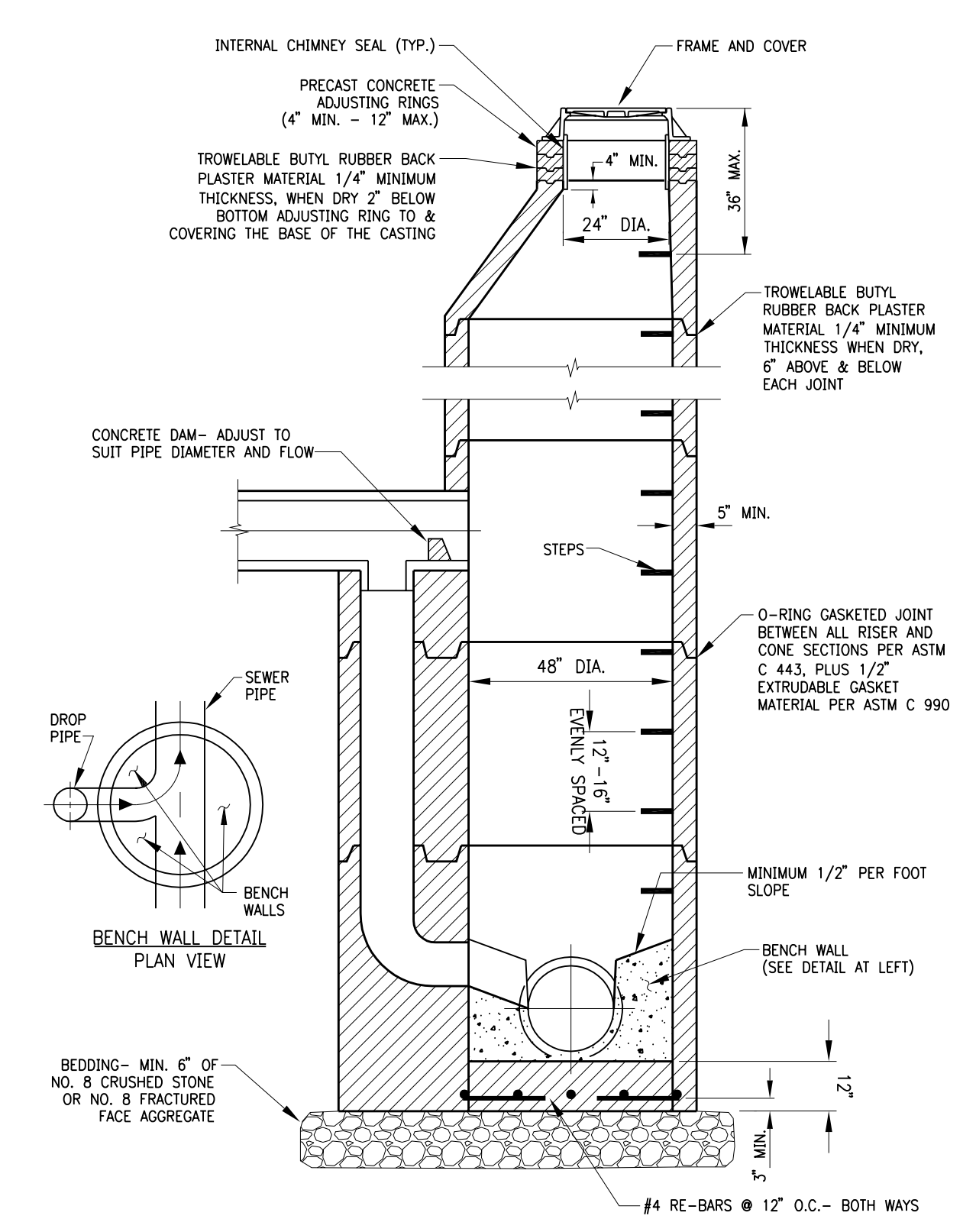


SPECIAL MANHOLE, 48"-144" SEWERS
NOT TO SCALE

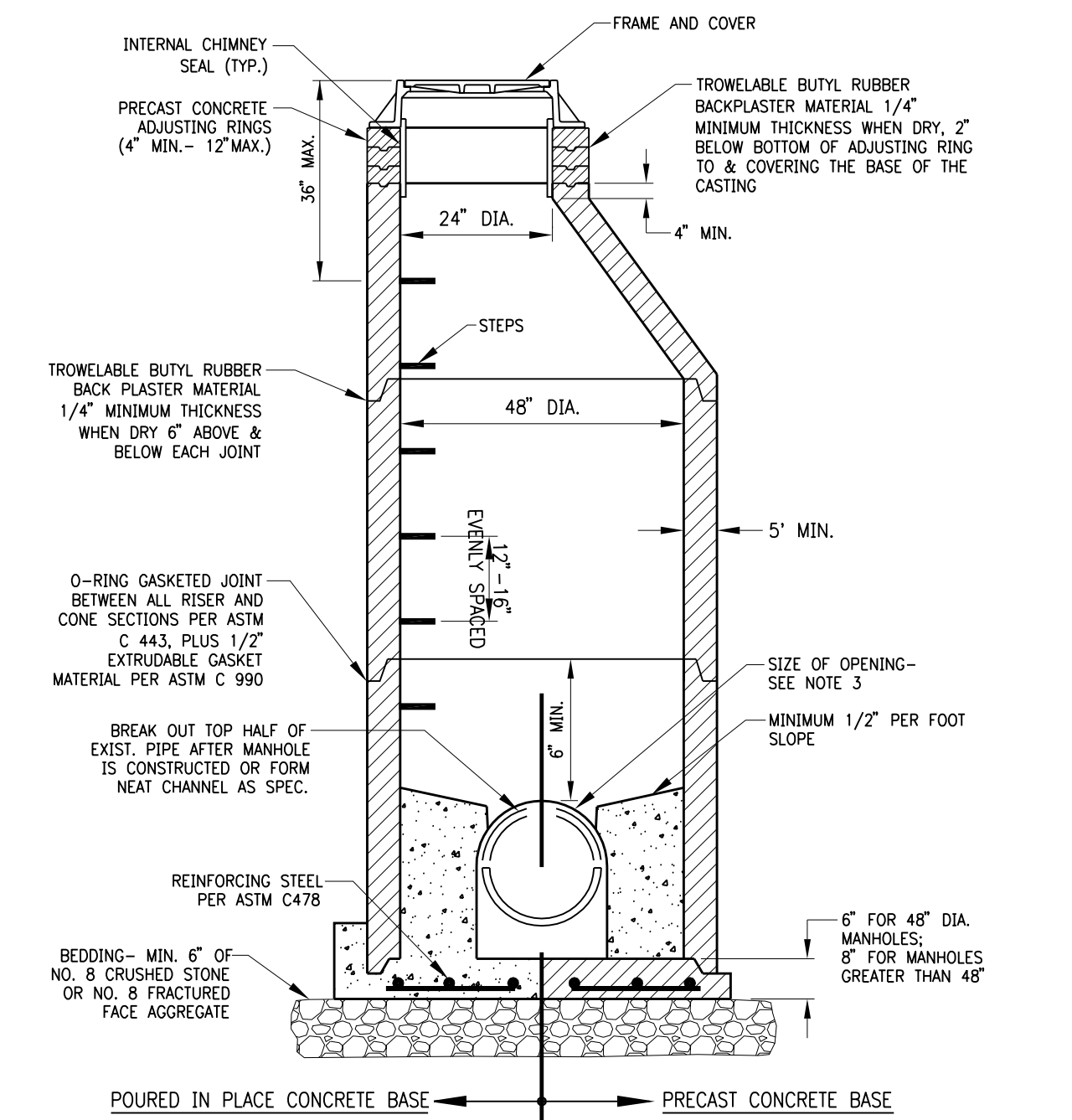


MANHOLE INSIDE DIAMETER	
TOTAL NUMBER OF DROP LINES	INSIDE MANHOLE DIAMETER
1	8"-12" 60"
2 OR 3	8"-12" 72"

INTERNAL DROP MANHOLE
NOT TO SCALE

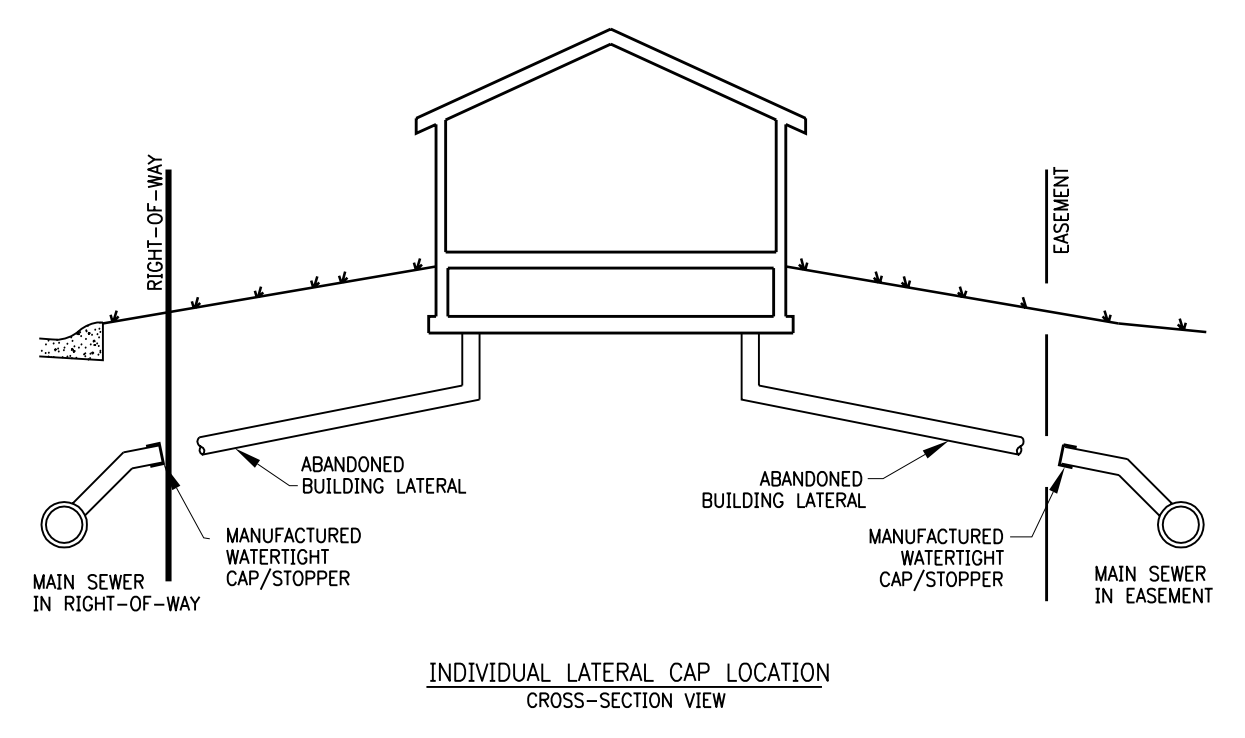


PRECAST DROP MANHOLE
NOT TO SCALE

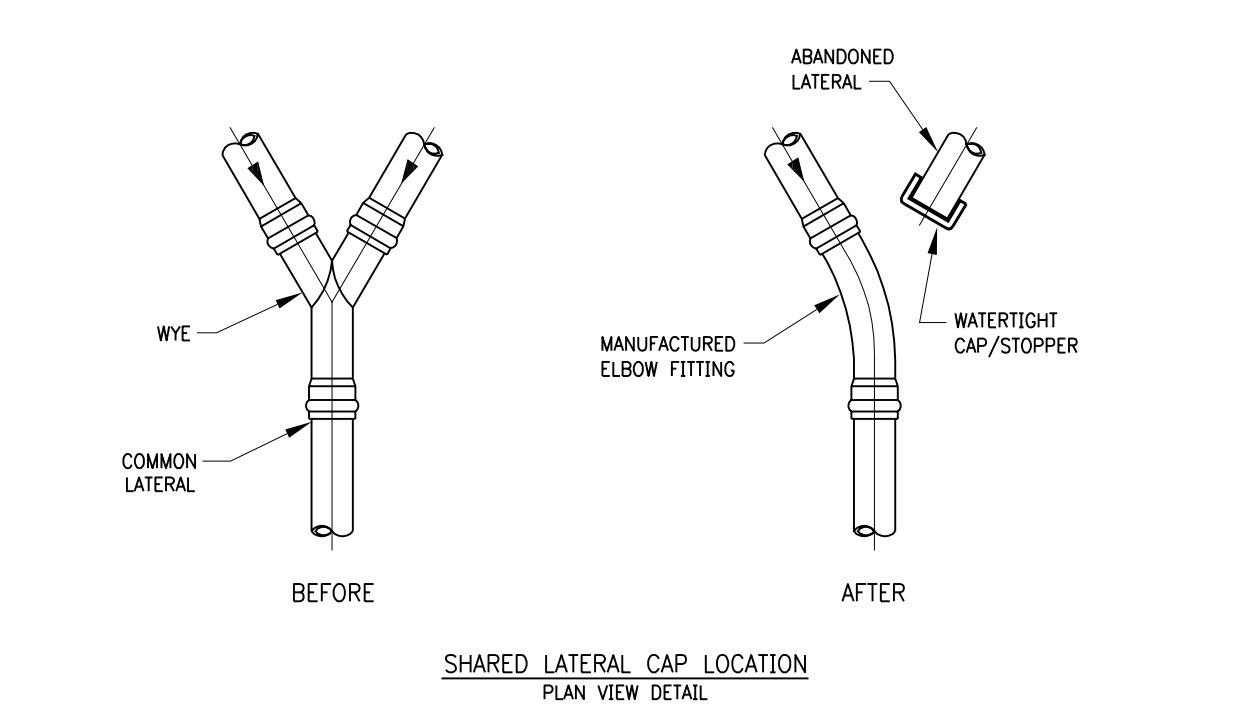


- NOTES
- DOGHOUSE OPENING MAY ONLY BE USED WHEN PLACING A NEW MANHOLE OVER AN EXISTING LINE; OTHERWISE, THE OPENING MUST BE CAST. SIZE, LOCATION AND ANGLE OF ENTRY SHOULD BE AS REQUIRED BY THE PLANS.
 - OPENINGS IN PRECAST UNITS ARE TO BE 4" MINIMUM TO 8" MAXIMUM LARGER THAN THE OUTSIDE DIAMETER OF THE PROPOSED PIPE.
 - INVERT SHAPING TO CONFORM TO FIGURE 300.07.

SANITARY SEWER DOGHOUSE MANHOLE
NOT TO SCALE

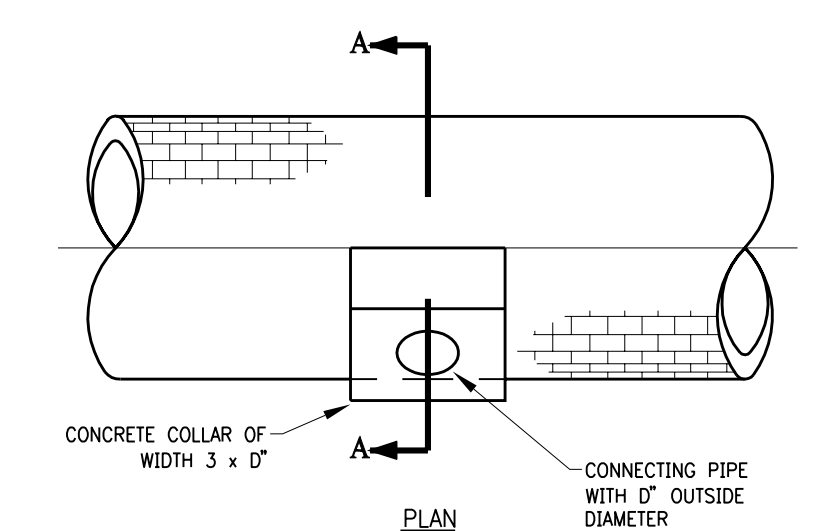


INDIVIDUAL LATERAL CAP LOCATION
CROSS-SECTION VIEW

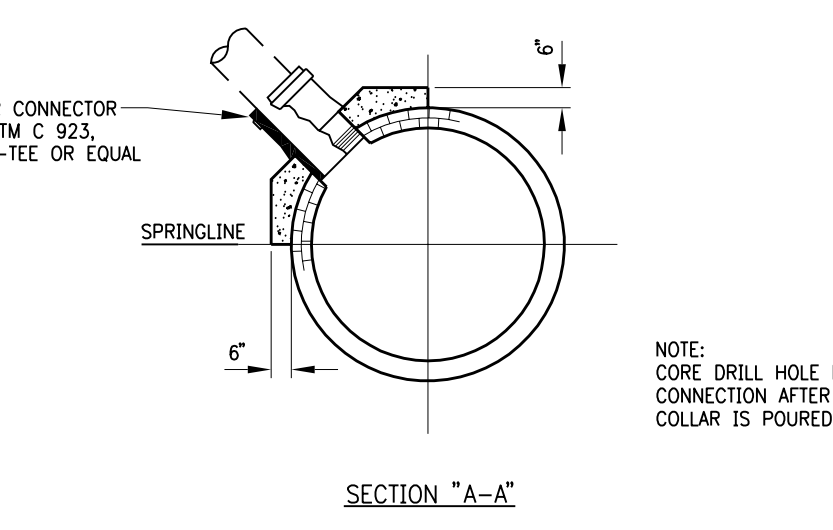


SHARED LATERAL CAP LOCATION
PLAN VIEW DETAIL

ACCEPTED METHODS OF CAPPING AN ABANDONED SEWER LATERAL
NOT TO SCALE



CONCRETE COLLAR DETAIL
PLAN



SECTION "A-A"

CONCRETE COLLAR DETAIL
NOT TO SCALE

Date	Checked By	Drawn By	Revision Description	Revision Number	Filename	Project No.	Project Date