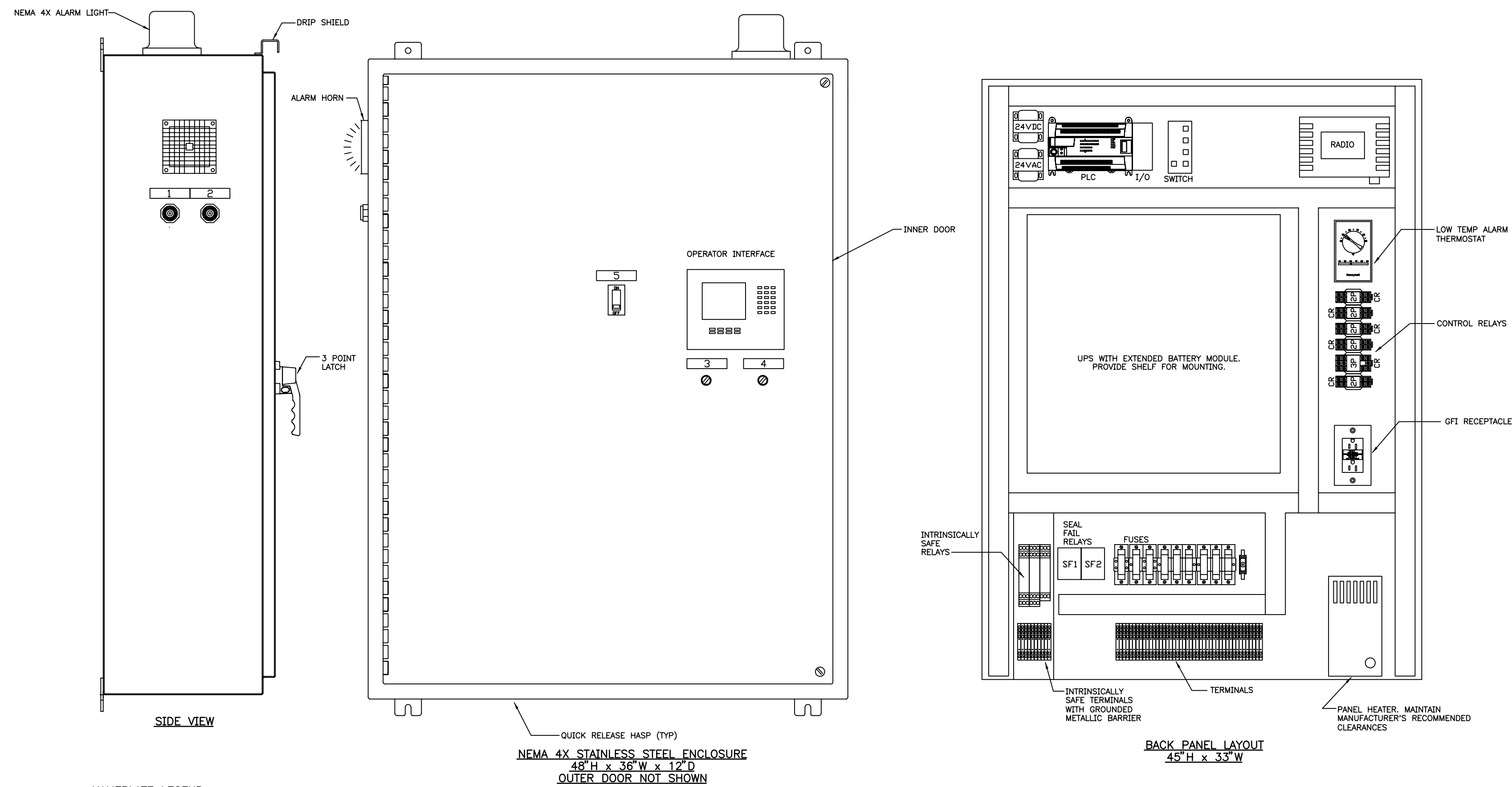
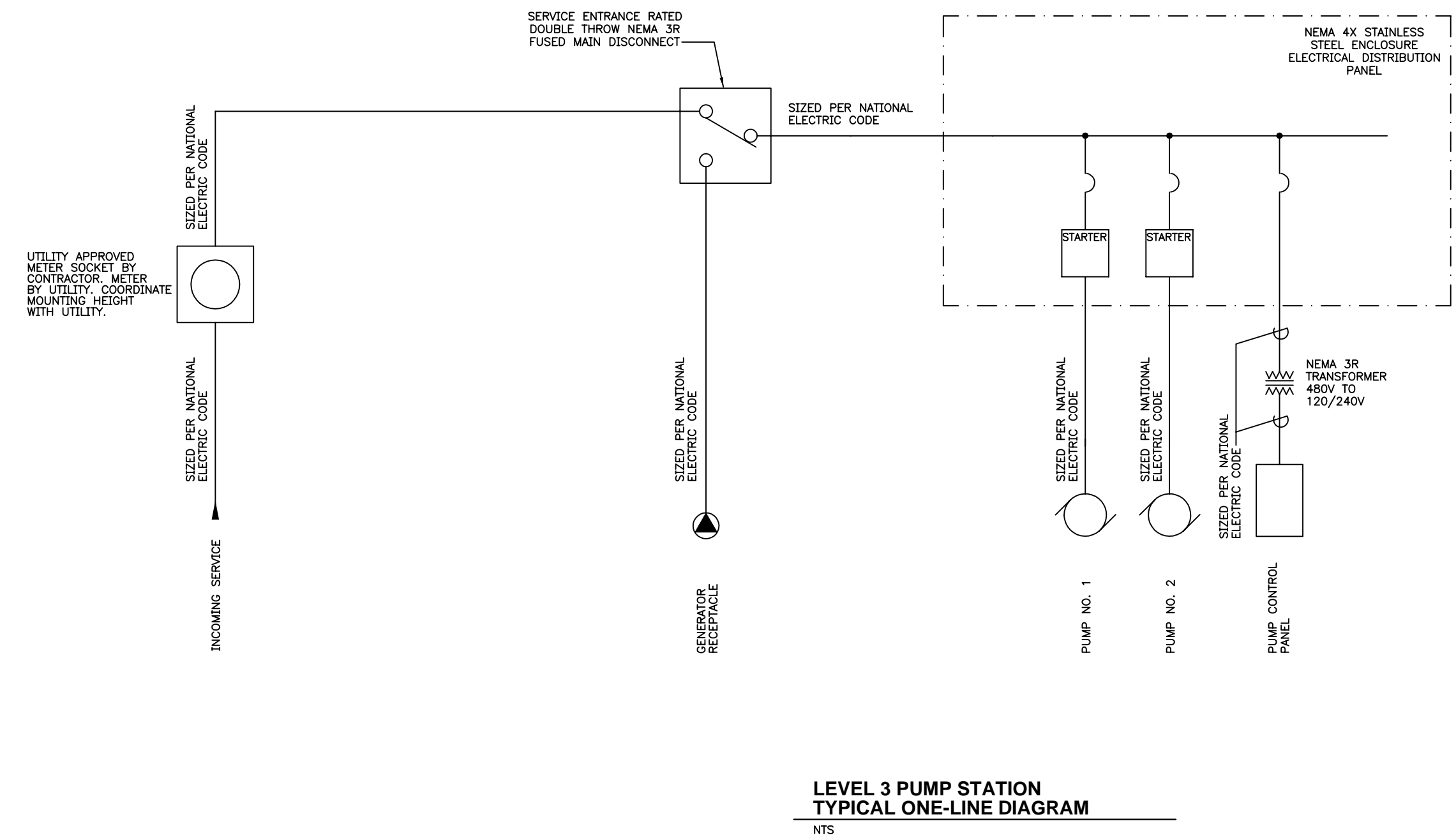
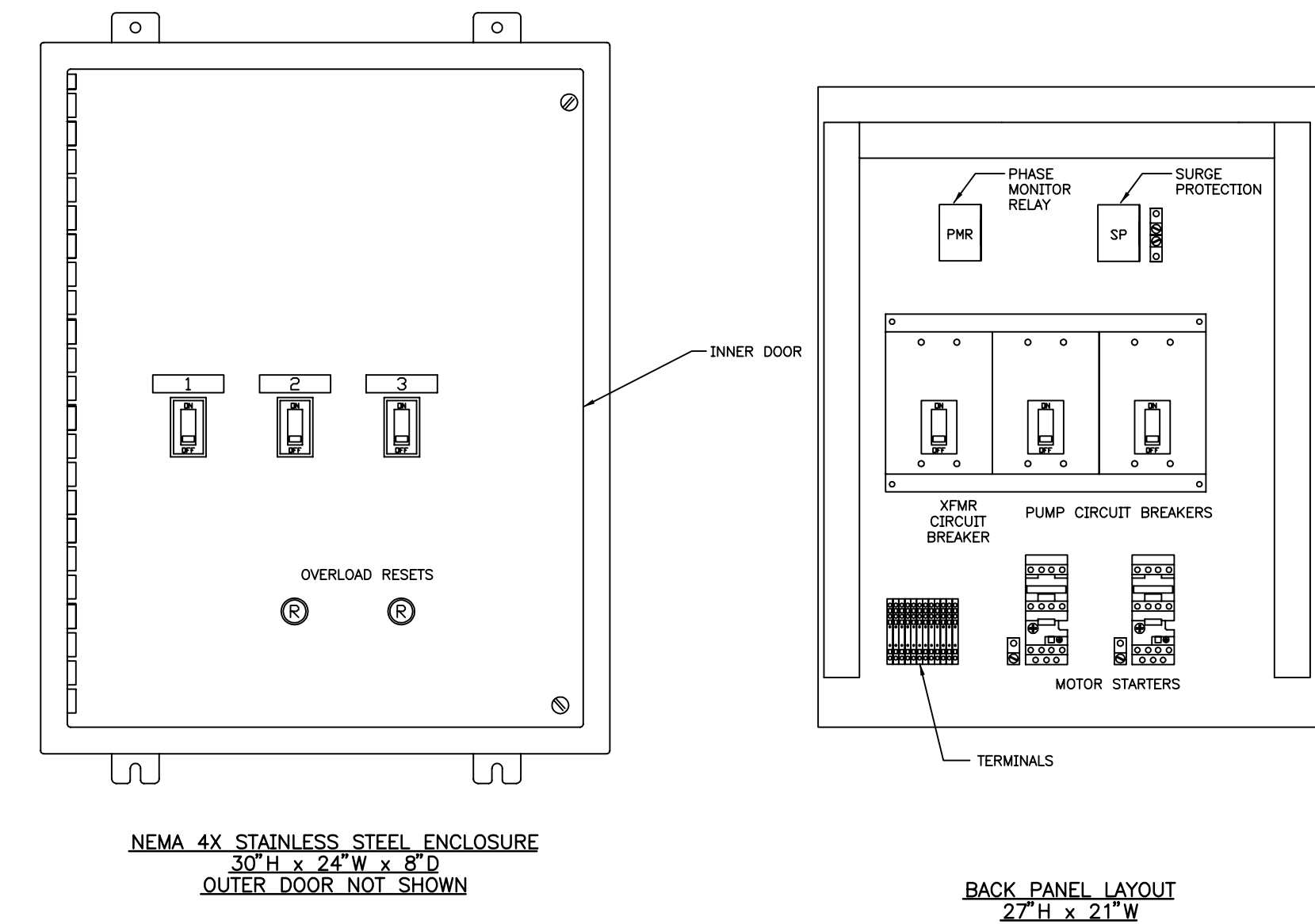
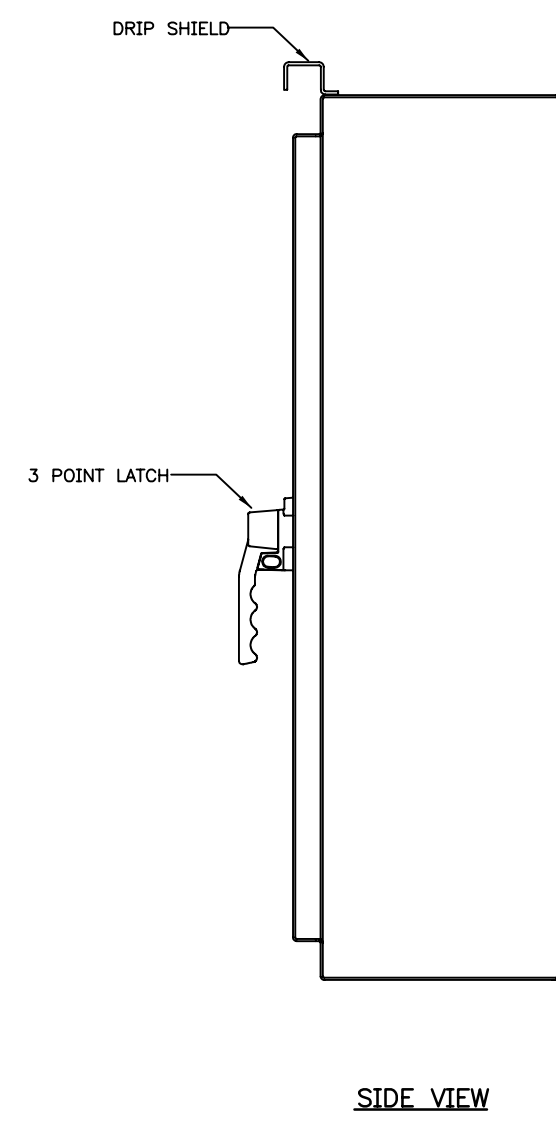


GENERAL NOTES:
1. ALL MOUNTING HARDWARE TO BE STAINLESS STEEL



NAMEPLATE LEGEND

1. ALARM TEST
2. ALARM SILENCE
3. PUMP 1 HOA
4. PUMP 2 HOA
5. CONTROL/CONVENIENCE



LEVEL 3 PUMP STATION ELECTRICAL DISTRIBUTION PANEL LAYOUT
NTS

NAMEPLATE LEGEND

1. CONTROL PANEL TRANSFORMER
2. PUMP 1
3. PUMP 2

Date	Checked By	Drawn By	Revision Description	Revision Number	Designed By	Drawn By	Checked By	Approved By	Filename	Project No.	Project Date

CITY OF INDIANAPOLIS
 DEPARTMENT OF PUBLIC WORKS
 LEVEL 3 SUBMERSIBLE LIFT STATION
 ELECTRICAL DETAILS